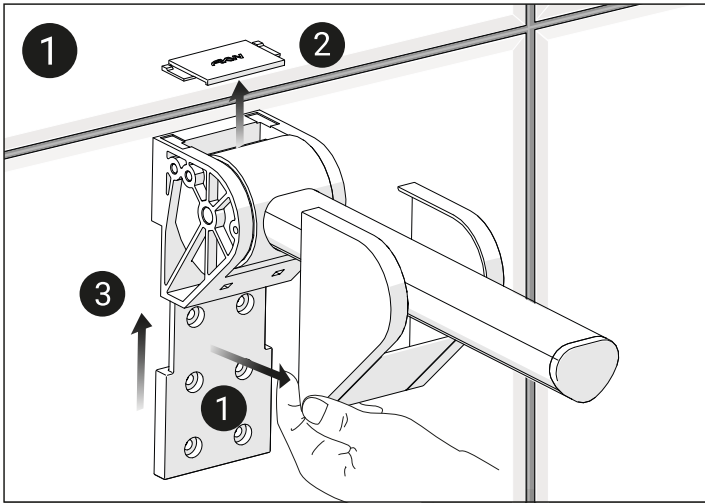


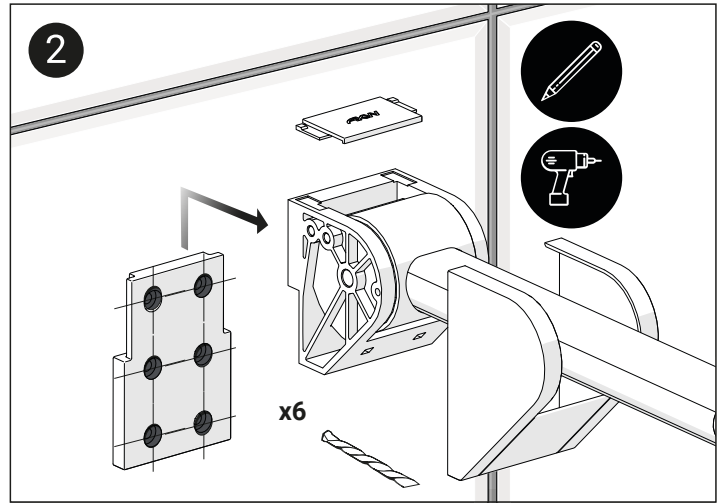
Onyx Back & Arms

INSTALLATION INSTRUCTION

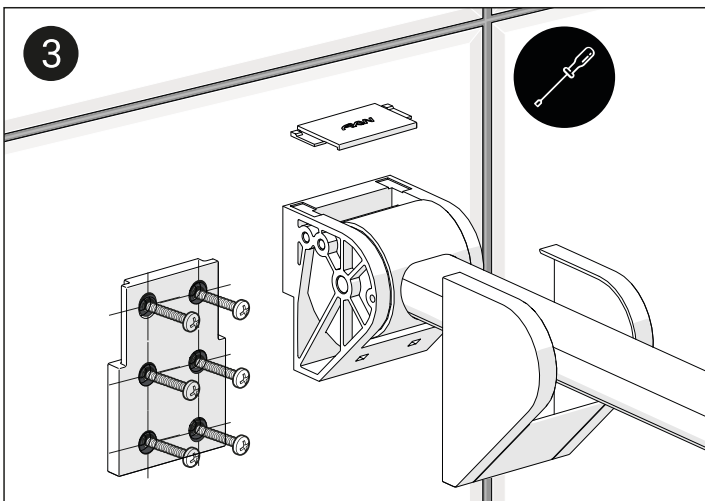
AKW
Life Made Better



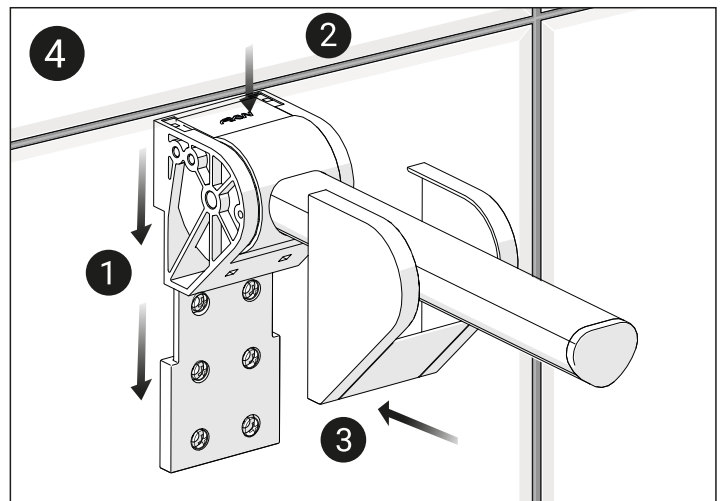
Gently remove the covers by lifting from the bottom. Remove the top cover and lift the arm off the bracket to get to the mounting plate.



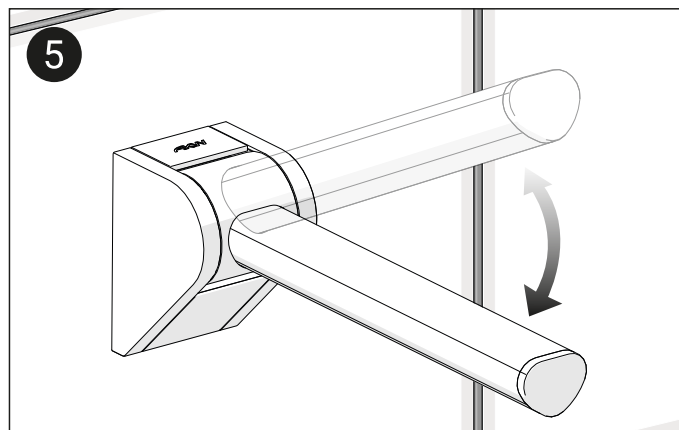
Mark out the desired height and mounting position using suitable tools. Drill the mounting holes.



Fix the mounting plate to the wall using suitable wall fixings. Max 90kg load rating.



Attach the arm to the mounting plate. Reinstall covers.

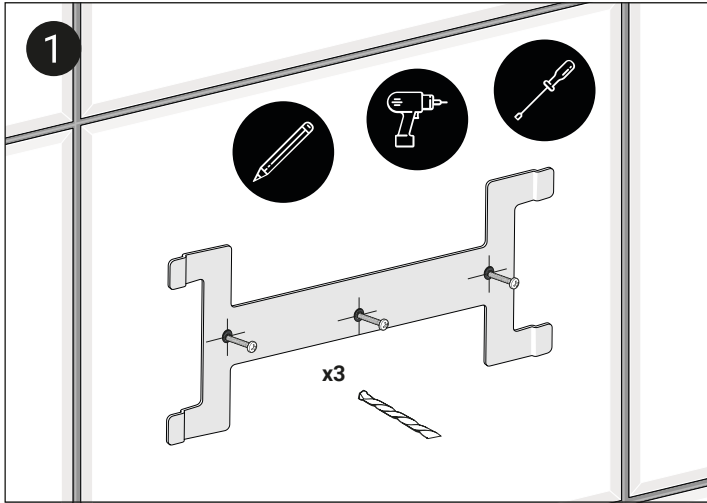


Final assembly and test operation.

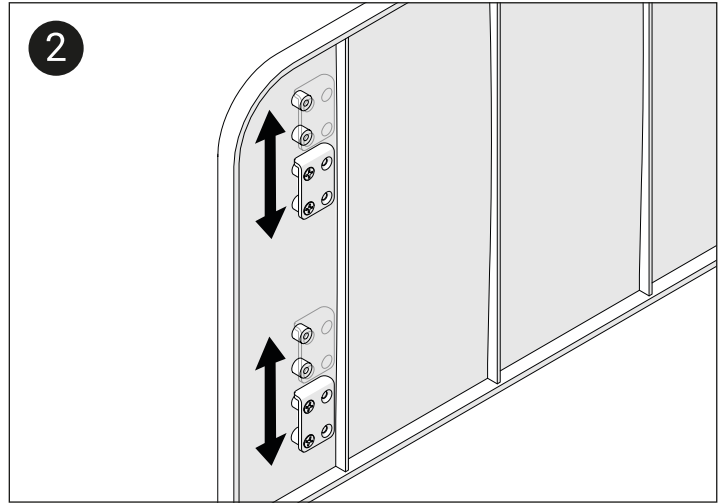
Onyx Back & Arms

INSTALLATION INSTRUCTION

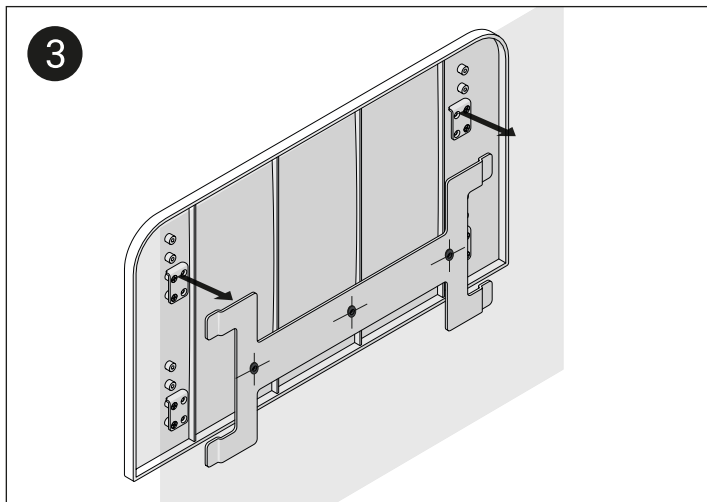
AKW
Life Made Better



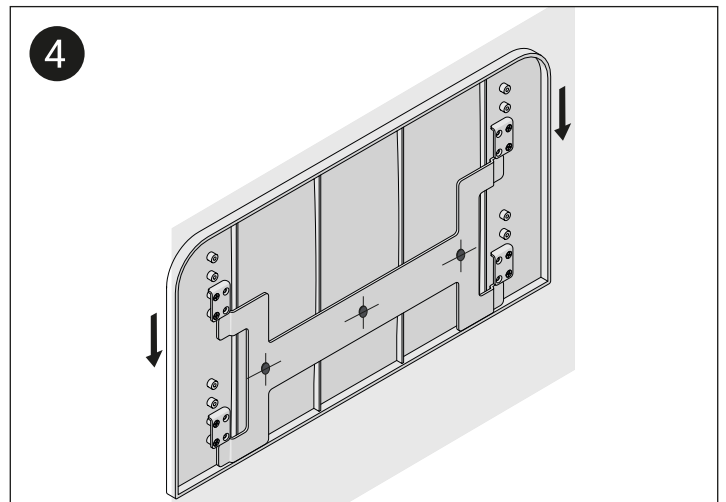
Remove bracket from the backrest. Mark out the desired height and position.



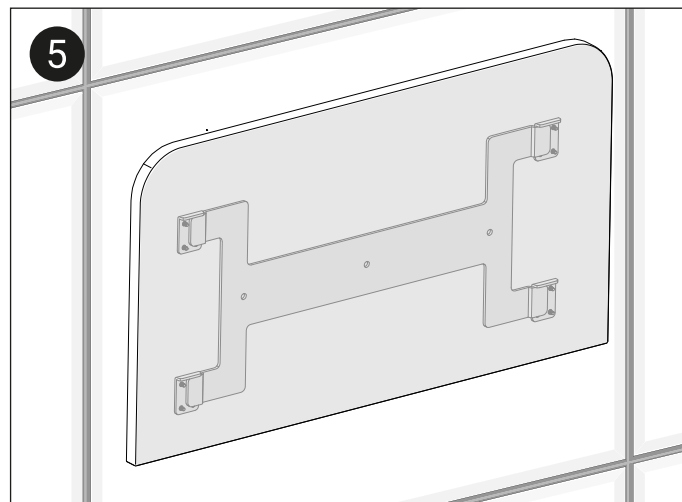
Further height adjustment can be made by adjusting the seat brackets on the backrest.



Align the backrest on to the mounting bracket.



Slide down to attach to the mounting bracket.



Final assembly.